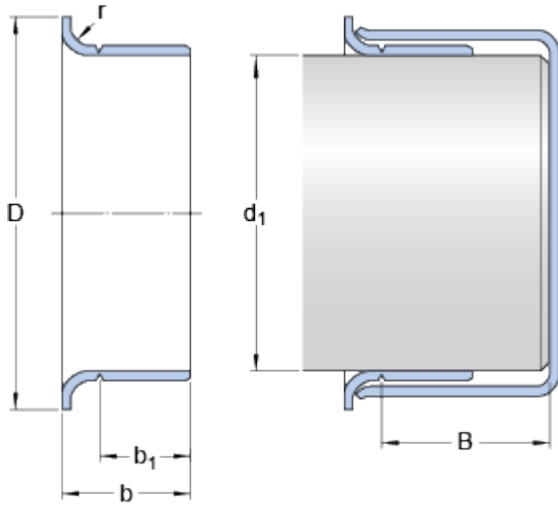


# 99128

## Dimensions



### Shaft diameter range

$d_1$	min.	31.928	mm
$d_1$	max.	32.08	mm

### Nominal dimensions

$d_1$		32	mm
Tolerance	$\pm$	0.8	mm
width $b$			
$b_1$		8.001	mm
Tolerance	$\pm$	0.8	mm
width $b_1$			
$B$	max.	17.475	mm
$r$	max.	3.18	mm
$D$		38.1	mm
Tolerance	$\pm$	1.6	mm
outside diameter $D$			
$b$		11.125	mm
Tolerance	$\pm$	0.8	mm
width $b$			